

Key Features

Output Power up to +35 dBm

1 to 16 Output Ports

Cost Effective Amplification

Low Power Consumption

RS-232 Command Interface

ROHS Compliant

Applications

CATV

FTTx, PON

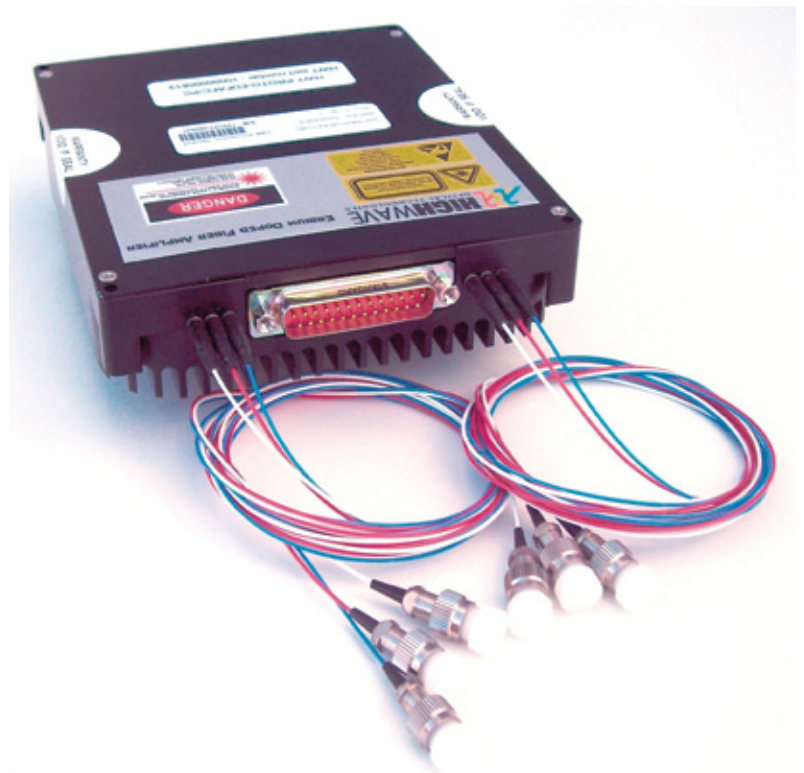
Free space, Broadband Access

R&D, Test & Measurement

High Power Amplifier

The Manlight High Power Amplifier for CATV and FTTx applications offers a cost effective solution in bringing the bandwidth closer to the end users. With a unique design based on Manlights in-house pump combiner and optical know-how, the high power amplifiers are optimized to offer high power and low noise figure with proven reliability and quality. The output power can be distributed between 1 to 16 output ports.

The use of efficient and reliable uncooled pump diodes allows the Manlight amplifiers to reach high output powers with low overall power consumption. The control electronics featuring alarms, automatic shutdown, and RS-232 communication interface is driven by a 5 / 24 VDC power supply.



For more Info

Please contact us at:

North America: **514.748.4848**

888.922.1044

Europe & Asia: **+33 (0) 2 96 04 20 00**

or via e-mail at sales@3spgroup.com

High Power Amplifier



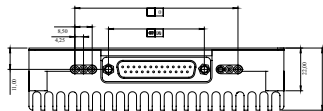
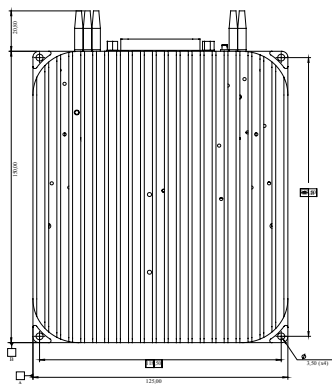
SPECIFICATIONS* OPTICAL CHARACTERISTICS

Parameter	General	16x20 dBm	Unit
Wavelength Range	1530-1565	1545 - 1565	nm
Output Power	Up to +35	+20 per port	dBm
Number of Output Ports	1-16	16	
Input Power Range	-10 to +10	-10 to +10	dBm
Noise Figure @ 1550nm, +0dBm Input Power	5.5	5.5	dB
Port to Port Variation	0.6 for 8 ports	1.0	dB
Polarization Mode Dispersion	0.5	0.5	ps
Polarization Dependent Gain	0.4	0.4	dB

ELECTRICAL & ENVIRONMENTAL CHARACTERISTICS

Power Consumption (typical)	-	32	W
Power Supply Voltage		5 or 24	VDC
Operating Case Temperature		0 to +65	°C
Storage Temperature		-40 to +85	°C
Operating Humidity (non-condensing)		20 - 85	% RH
Connector type		D-sub 25	
Mechanical Dimensions		150 x 125 x 32 or 240 x 170 x 38	mm

Mechanical drawings:



Revised March 2012

Please note: information in this document is typical and must be specifically confirmed in writing by your supplier before it becomes applicable to any order or contract. Information is subject to change without notice.
©2011 3S PHOTONICS S.A.S.

ORDERING INFO

Please contact your Sales Manager. 3SPGroup can also develop custom products to meet a wide range of technical requirements.



3SPGroup
North America: 514.748.4848
888.922.1044

Europe and Asia: +33 (0) 2 96 04 20 00
www.3spgroup.com • sales@3spgroup.com